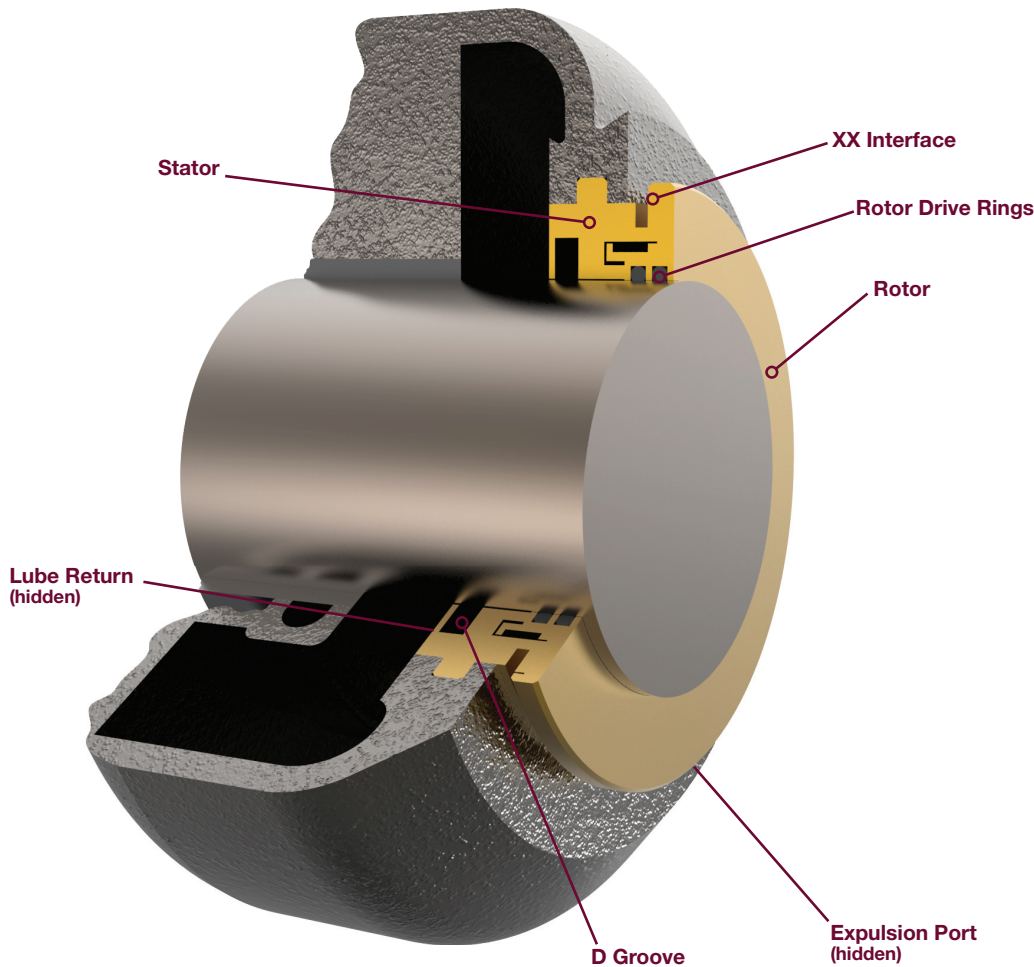


BEARING ISOLATOR

Steam Turbine - Low Temp



Technical Features

XX Interface, D-Groove, Horizontal/Vertical Drain for Oil Return

Applications

Process Steam Turbines below 204°C [400°F].

Industries

All

STEAM TURBINE- LOW TEMP TECHNICAL DATA

A two part compound labyrinth seal consisting of a rotor and a stator that excludes contamination and retains lubrication on process steam turbines below 204°C [400°F].

Standard Material: Bearing Bronze

Movement: Radial- 0.38 mm [0.015 in.]

Temperature (Elastomers): Drive Rings: Aflas- 204°C [400°F]

Pressure: 0 bar [psi]

Speed: 10,000 SFPM

Shaft Size: 15.88 mm [0.625 in] – 152.4 mm [6 in] Consult engineering for shaft sizes above 152.4 mm [6 in]

* Consult Inpro/Seal engineering for operating conditions outside limits shown above



INPRO/SEAL®

www.inpro-seal.com | info@inpro-seal.com



© 2019 Dover Precision Components. All rights reserved. | d14.016.1-OC19